

MS7905

PRESSURE SENSOR DIE (0-5 BAR)



- 0 to 500 kPa range (5 bar or 73 PSI)
- Absolute/differential pressure sensors
- High linearity, small size
- High overpressure capability (18 bar)
- RoHS-compatible & Pb-free¹

DESCRIPTION

The sensor element of the MS7905 consists of a silicon micro-machined membrane. Implanted resistors make use of the piezo-resistive effect to sense the membrane deflection and transform it in an electrical signal. This sensor, which has outstanding linearity and span values, is available in various configurations. The absolute pressure sensor employs a sealed vacuum reference cavity underneath the membrane. The Pyrex glass wafer used for this sealing has a thickness of 0.2 mm (MS7905-A_0.2) or 0.5 mm (MS7905-A_0.5). Two gauge versions are available: one with a drilled Pyrex glass (MS7905-D) and the other without Pyrex glass (MS7905-S).

FEATURES

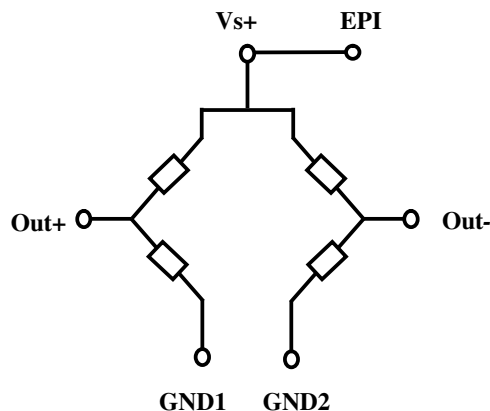
- Uncompensated pressure sensor die
- Output span 150mV @ 5V
- Temperature range -40°...+125°C
- Linearity 0.05% (typical)
- Very small die size 1.72 x 1.58 mm (MS7905-A)
- Low cost, high reliability

APPLICATION

- Absolute pressure sensor systems
- Differential/gauge pressure sensor systems
- Engine controls
- Dive computers

ELECTRICAL CONNECTIONS

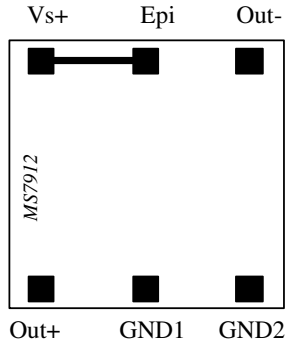
Positive output for pressure applied topside



- Vs+ : Supply voltage of Wheatstone bridge
- Epi : Connection of epitaxial layer (membrane)
- Out- : Negative output
- Out+ : Positive output
- GND1 : Ground
- GND2 : Ground

深圳市新世联科技有限公司

BOND PAD CONFIGURATION



Important remarks:

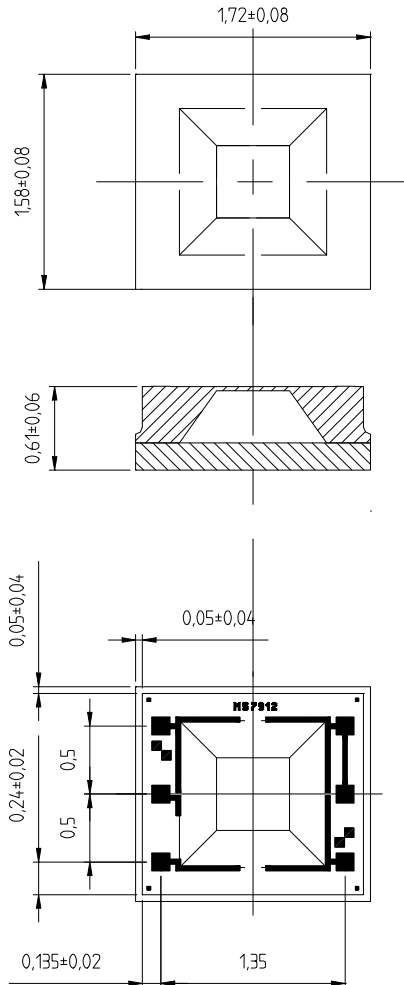
As the sensing elements are diffused resistances, the voltage applied on the ground pads (GND1 and GND2) has to be lower than the voltage applied on supply voltage pad (Vs+).

The epitaxial layer is connected to the Vs+ pin under the pad.

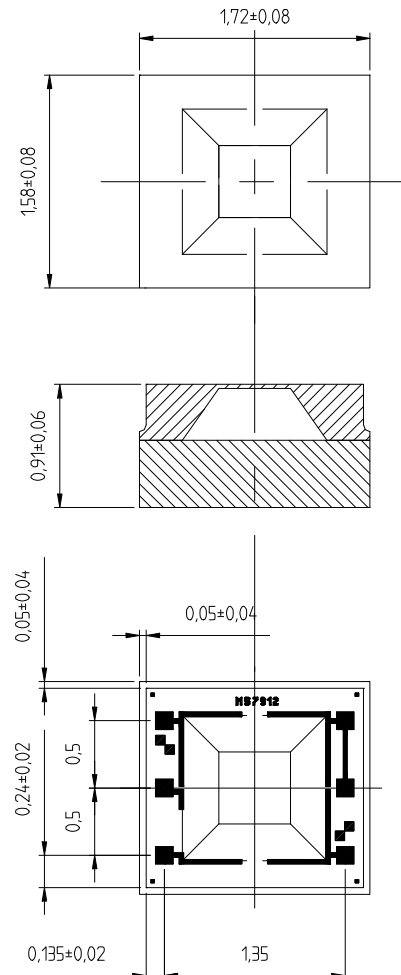
Gold ball bonding or aluminium wedge bonding can be used to wire-bond the sensor. The quality of the wire-bonding is equipment and process dependant. For this reason, it is strongly recommended that a thorough wire-bonding qualification is made by the end user if the sensor is going to be operated over an extended temperature range.

LAYOUT (Absolute sensors)

MS7905-A_0.2



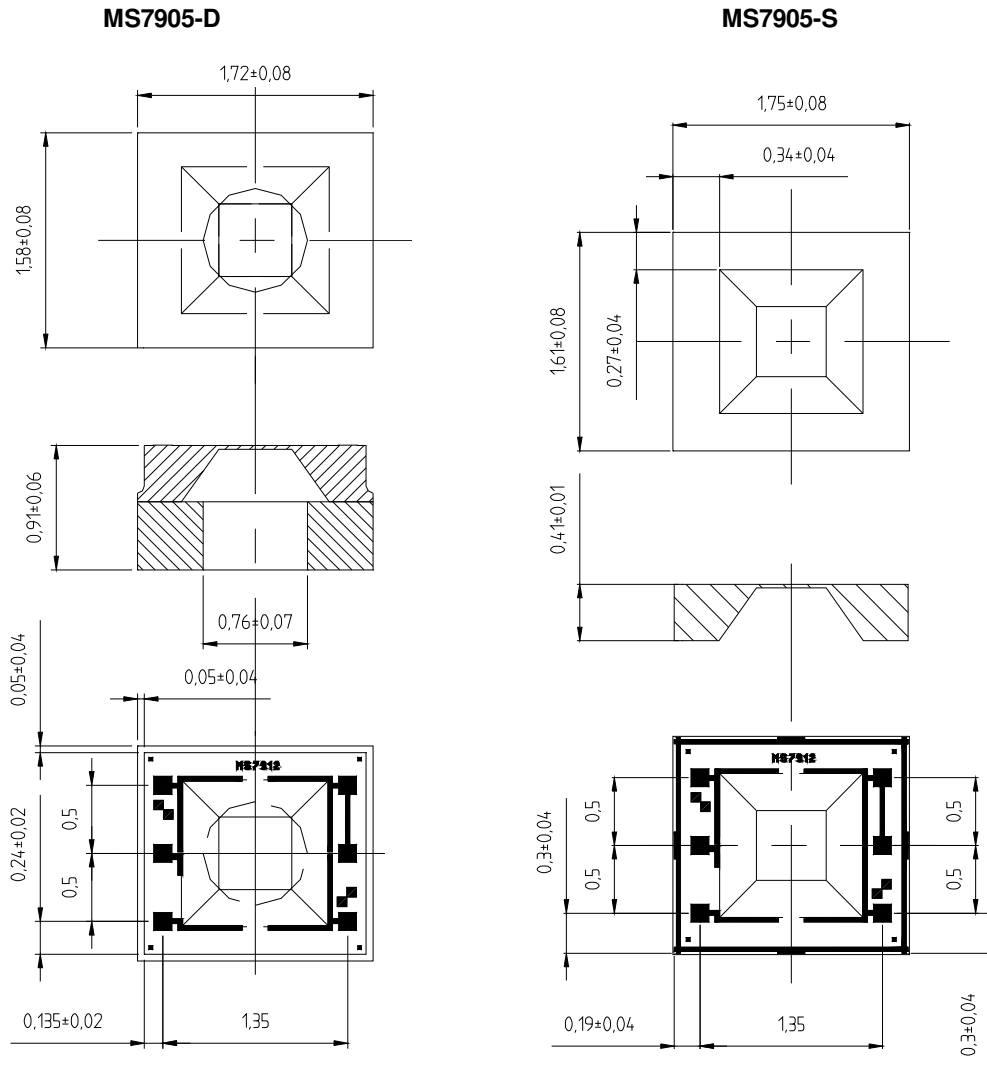
MS7905-A_0.5



Pad opening in passivation is 100 μm

深圳市新世联科技有限公司

LAYOUT (Gauge sensors)



Pad opening in passivation is 100 μ m

FULL SCALE PRESSURE

kPa	bar	mbar	PSI	atm	mm Hg	m H ₂ O	Inches H ₂ O
500	5	5000	73	4.9	3750	50.9	2007

ABSOLUTE MAXIMUM RATINGS

Parameter	Symbol	Conditions	Min	Max	Unit
Supply voltage	VS+	T _a = 25 °C		20	V
Storage temperature	T _s		-40	+150	°C
Pressure overload				18	Bar

深圳市新世联科技有限公司

ELECTRICAL CHARACTERISTICS

(Reference conditions: Supply Voltage $V_{S+} = 5 \text{ Vdc}$; Ambient Temperature $T_a = 25^\circ\text{C}$)

Parameter	Min	Typ	Max	Unit	Notes
Operating Pressure Range	0		5	Bar	
Operating Temperature Range	-40		125	$^\circ\text{C}$	
Bridge Resistance	3.0	3.4	3.8	$\text{K}\Omega$	
Full-scale span (FS)	120	150	180	mV	
Zero Pressure Offset	-40	0	40	mV	
Linearity		± 0.05	± 0.15	% FS	1
Temperature Coefficient of Resistance Span Offset	+ 2400 - 1500 - 80	+ 2800 - 1900	+ 3300 - 2300 + 80	ppm/ $^\circ\text{C}$ ppm/ $^\circ\text{C}$ $\mu\text{V}/^\circ\text{C}$	2
Pressure Hysteresis		± 0.05	± 0.15	% FS	4
Repeatability		± 0.1	± 0.2	% FS	5
Temperature Hysteresis			0.3	% FS	6

NOTES

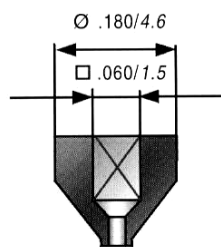
- 1) Deviation at one half full-scale pressure from the least squares best line fit over pressure range (0 to 12 bar).
- 2) Slope of the endpoint straight line from 25°C to 60°C .
- 3) Output deviation at any pressure within the specified range, when this pressure is cycled to and from the minimum or maximum rated pressure, at 25°C .
- 4) Same as 3) after 10 pressure cycles.
- 5) Maximum difference in offset after one thermal cycle from -40°C to $+125^\circ\text{C}$.

PICKING TOOLS

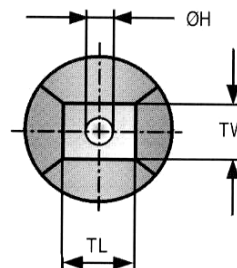
The MS7905 sensors have a sensitive membrane size of $0.5 \times 0.5 \text{ mm}$ and outer dimensions of $1.72 \times 1.58 \text{ mm}$ (MS7905-A_0.2, MS7905-A_0.5 and MS7905-D) and $1.75 \times 1.61 \text{ mm}$ (MS7905-S). The pick and place tool has to be of a soft material such as rubber (Hardness 78-97 Shore A). Its external size must fit the sensor and the vacuum cavity must be as large as the membrane itself. Successful tests have been made with specific SPT tools, see SPT drawing and references below.

Ensure that the ejection pins do not touch the membrane for gauge versions.

SPT references	RTR-A1-060x060
External dimension	TL & TW: 0.06 inch / 1.52 mm
Internal dimensions	$\varnothing\text{H}$: 0.035 inch / 0.89 mm



Type A



深圳市新世联科技有限公司

ORDERING INFORMATION

Product Code	Type	Product	Art.-Nr.
MS7905-A_0.2	Absolute	5 bar Pressure Sensors 0.2 mm Pyrex sawn on b/f	790525022
MS7905-A_0.5	Absolute	5 bar Pressure Sensors 0.5 mm Pyrex sawn on b/f	790525021
MS7905-D	Differential	5 bar Pressure Sensors sawn on b/f	790525121
MS7905-S	Differential	5 bar Pressure Sensors no Pyrex sawn on b/f	790525221

The MS7905 dice are supplied sawn on blue foil, mounted on plastic rings.

深圳市新世联科技有限公司